

KLM 175/176/177/178 LED LIGHT, WHITE 4000K

KUERZI
aviation

Technical Data Sheet



Kuerzi Aviation AG
Flugplatz
CH-9506 Lommis

info@kuerzi.com
www.kuerzi.com

Tel. +41 52 376 22 27

KLM175, KLM176, KLM177, KLM178 LED Interior Lights

LED interior lights are available in white, RGB/W and customized length up to 3200mm and offer following configuration options:

- RGB/CW/WW latest LED strips technology
- 4000K white, 6500K cold white
- RGB mood light
- 12VDC or 24VDC power input
- flat or round cover, round cover with 60° or 120° screen protector
- NVIS friendly

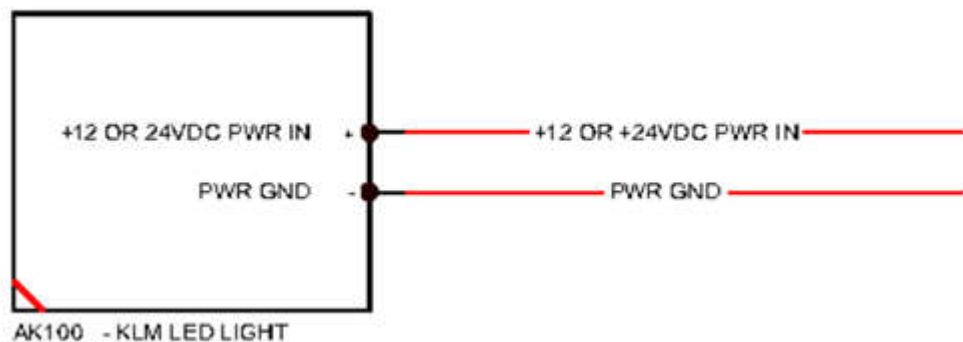
The KLM175, KLM176, KLM177 and KLM178 LED interior lights meet aviation standards and requirements and are delivered with an EASA Form 1.

The applicable approval can be provided by us specifically for your aircraft type.

On your request the KLM175, KLM176, KLM177, KLM178 LED interior lights can be altered or adapted to your requirements.

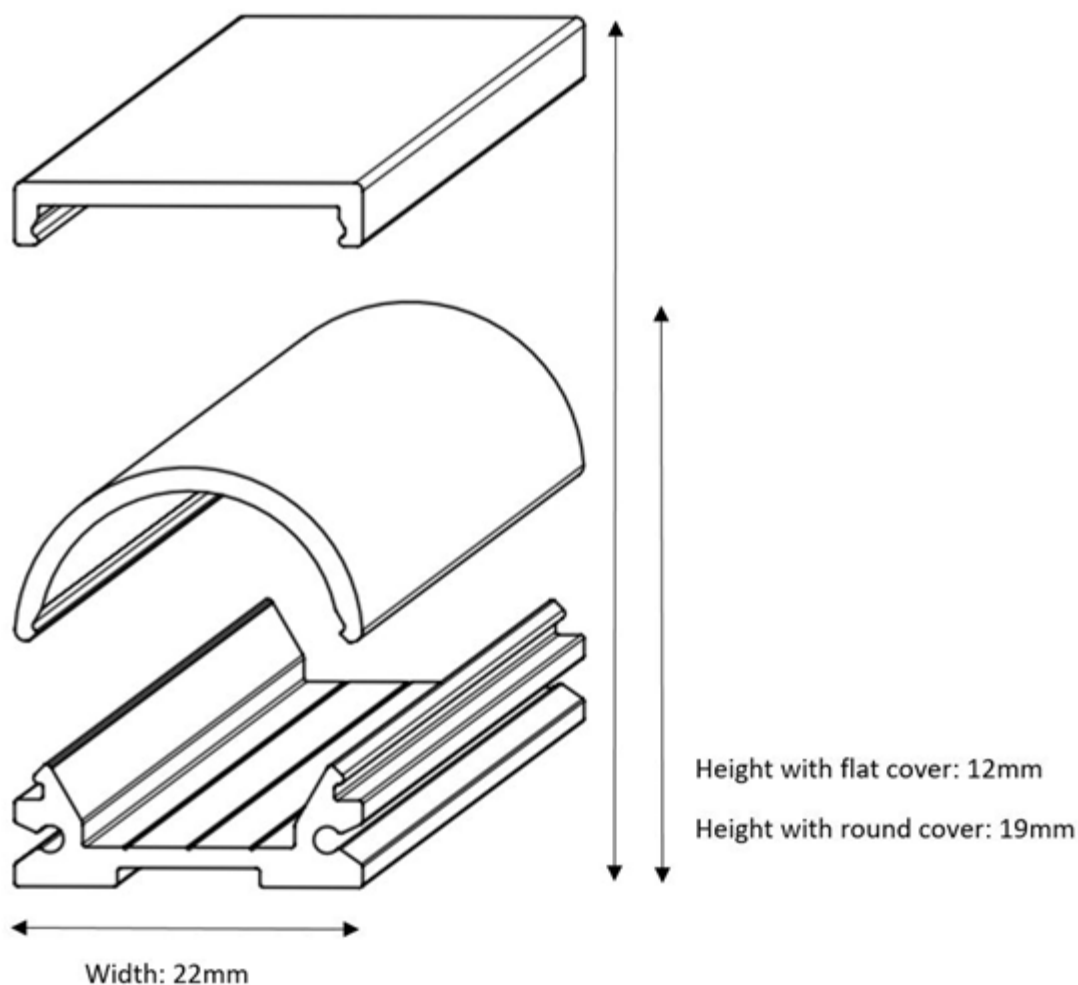
Technical Specifications

Interface



Mechanical Dimensions

Weight of the unit	0.26 kg
Weight of the unit including required installation materials (w/o wiring)	0.27 kg
All dimensions [mm]	



Configuration / Ordering Data

Part Number	Type	Description
2011123-1-()	KLM 175/176/177/178 LED LIGH	<p>KLM 175/176/177/178 LED light, 4000K white. The cover is available flat or round, the round cover additional with a screen protector of 60° or 120° prevents direct view to light of 1/3 or 2/3 of the lower end and can be ordered as requested.</p> <p>The length of the LED light is specified in the part number and can be ordered from 50 mm to 3200 mm as requested.</p> <p>Voltage input of 12VDC or 24VDC is specified in the part number and can be ordered as requested.</p> <p>The lights are provided with flying leads of 250 - 300 mm, either on right hand or left hand side. The orientation is specified in the part number and can be ordered as requested.</p> <p>KLM 175/176/177/178 LED lights are maintenance friendly, "on condition" and do not require specific tasks for continued airworthiness.</p>

Additional Parts for installation:

Qty	Part Number	Description
1	504-401-000	FASTENER CLAMP