

KLM118 LED AMBER 5VDC-32VDC ASSY

Technical Data Sheet



Kuerzi Aviation AG
Flugplatz
CH-9506 Lommis

info@kuerzi.com
www.kuerzi.com

Tel. +41 52 376 22 27

Description

The KLM118 LED AMBER 5VDC-32VDC is a small, amber LED indication light designed for aeronautical applications. It operates under a wide voltage range from 5 - 32VDC, which makes it suitable for many purposes.

The product meets aviation standards and requirements and is delivered with an EASA Form 1. The applicable approval can be provided by us specifically for your aircraft type.

Features

- 5 - 32VDC
- Peak Wavelength: 635 nm
- 8mA
- Viewing angle: 45°

Application example

The KLM118 has been installed in numerous occasions in cockpits or on medical supply panels as LED indication light.

Other LED indication lights are available and can be adapted to fit your requirements.

Product that also might interest you:

0616095.15 KLM109 LED GREEN 5VDC-32VDC

0616095.16 KLM110 LED BLUE 5VDC-32VDC

Technical Specifications

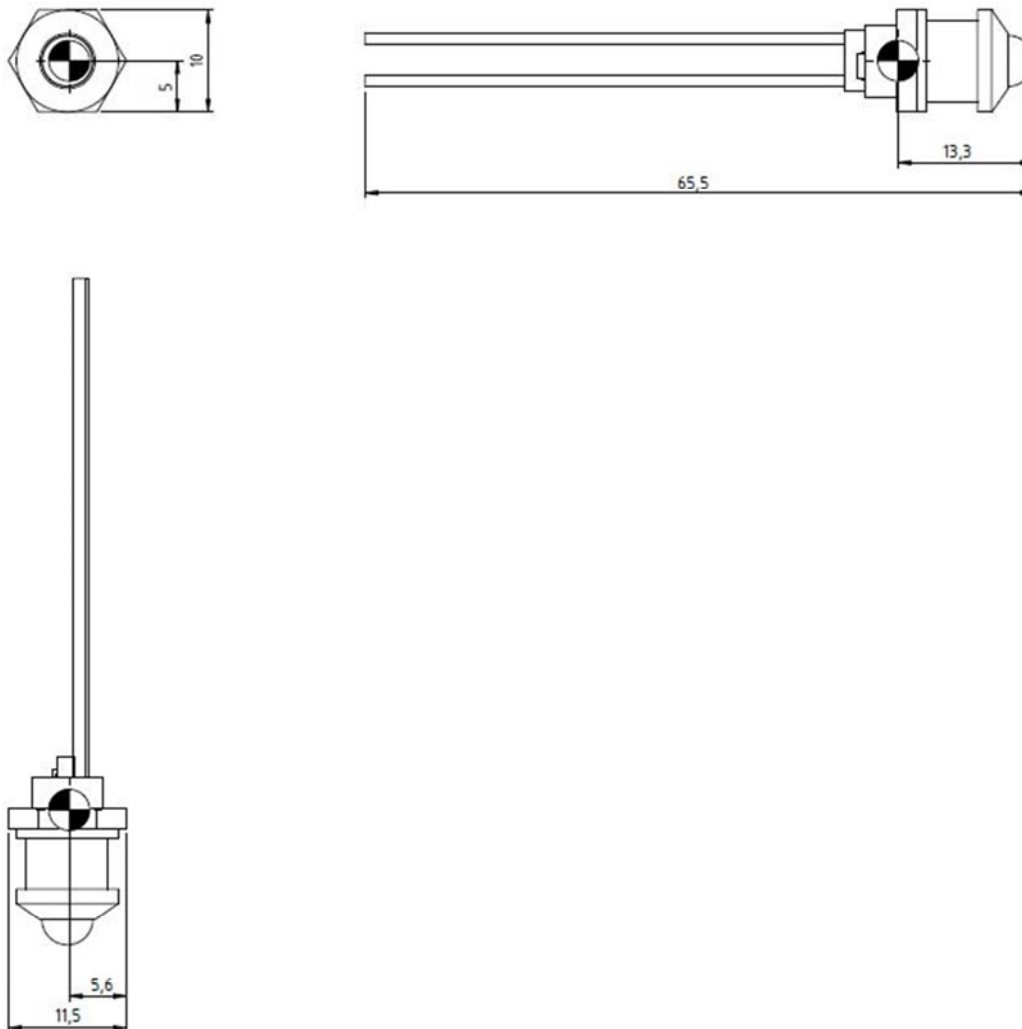
Nominal Operating Input Current	8 mA
Min Operating Temperature	-15°C
Max Operating Temperature	+70°C
General comment	Wired cable length 25cm

Mechanical Dimensions

Weight of the unit 2.50 Gr

Weight of the unit including required installation materials (w/o wiring) 2.50 Gr

All dimensions [mm]



Configuration / Ordering Data

Part Number	Type	Description
0931197.1	KLM118 LED AMBER 5VDC-32V	LED AMBER 5VDC-32VDC ASSEMBLY

Additional Parts for installation:

Qty	Part Number	Description
2	D-436-36	MiniSeal Spleissverbinder ROT